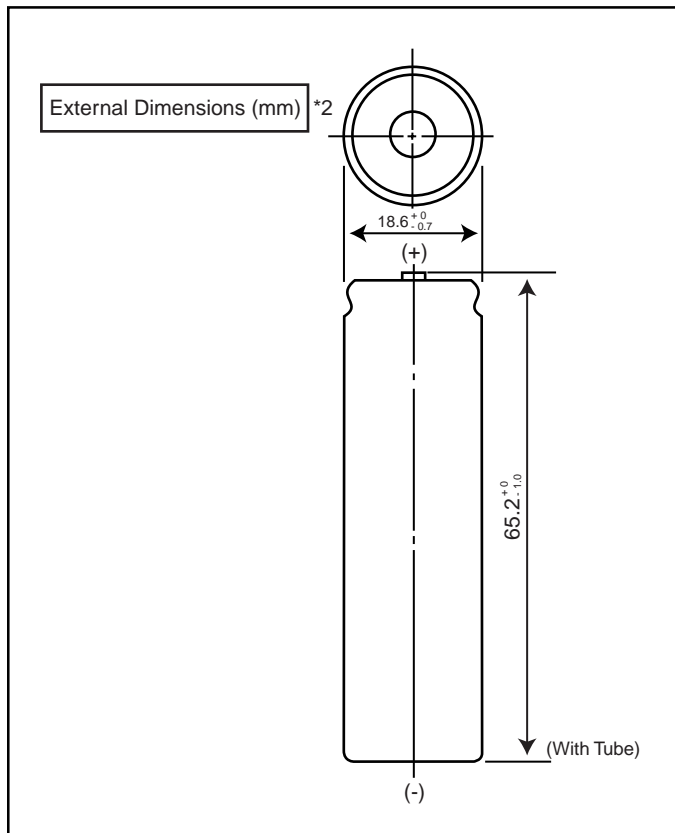


CGR18650E: Cylindrical Model



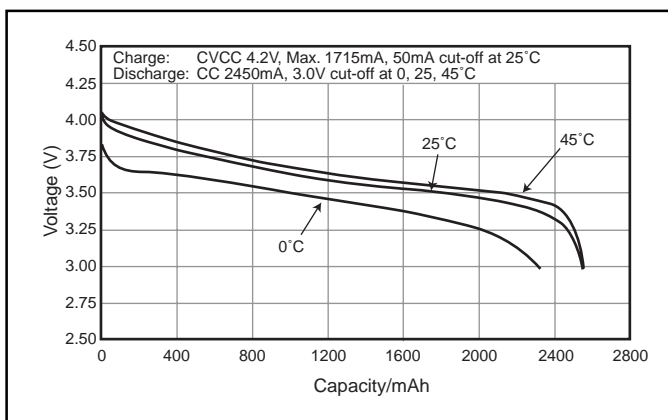
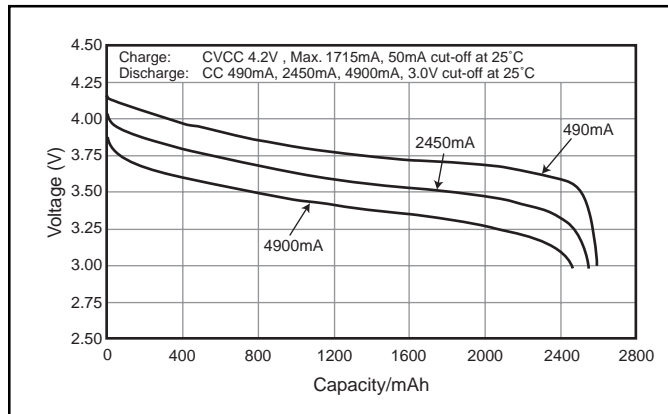
Specifications

Nominal Voltage		3.6 V
Standard Capacity^{*1}		2550mAh
Dimensions^{*2}	Diameter	18.6 + 0/-0.7mm
	Height	65.2 + 0/-1.0mm
	Weight	Approx. 46.5g

*1 After a fresh battery has been charged at constant voltage/constant current (4.2 V, 1715mA (max), 50mA cut-off, 25°C), the average of the capacity (ending voltage of 3 V at 25°C) that is discharged at a standard current (490mA).

*2 Dimensions of a fresh battery

Discharge Characteristics



Charge Characteristics

